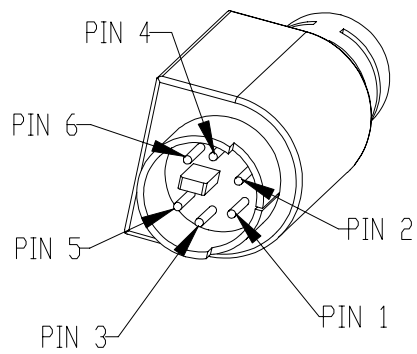


## MET KEYBOARD CONNECTORS

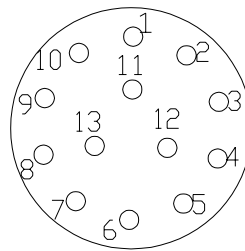
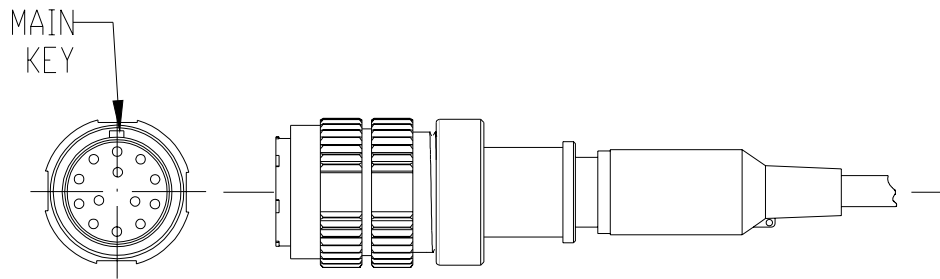


**Keyboard Pin Number**

**Keyboard Pin Number and Function**

Pin Number	Description
1	Keyboard Data
2	N/C
3	GND
4	+5 VDC
5	Keyboard Clock
6	N/C

## MET KEYBOARD CONNECTORS



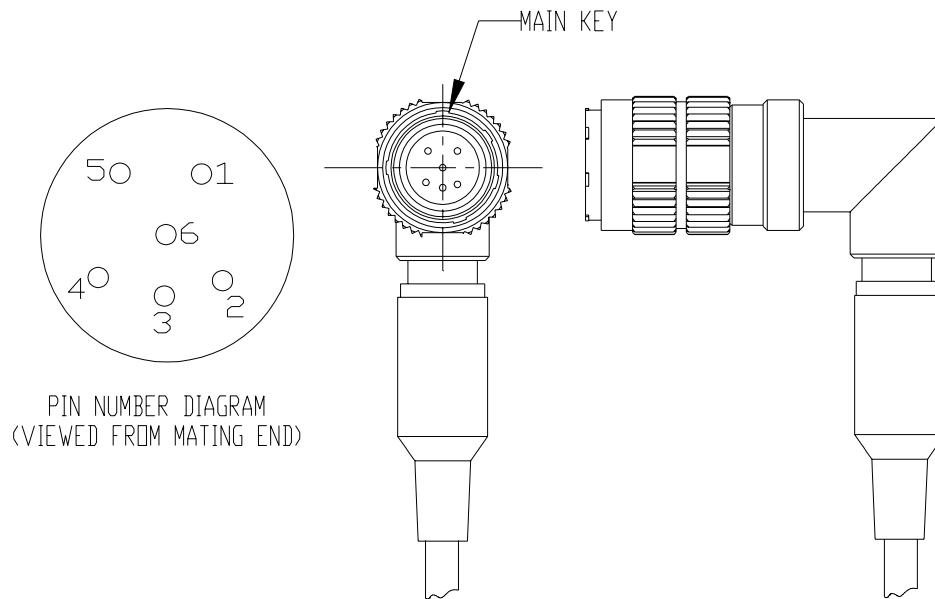
(VIEWED FROM MATING END)

### Connector Pin Number

### Connector Pin Number andDescription

Pin Number	Description
1	Keyboard/Cursor Control +5 VDC
2	Keyboard/Cursor Control GND
3	Keyboard Data (KDATA)
4	Keyboard Clock (KCLK)
5	Cursor Control Data (CDATA)
6	Cursor Control Clock (CCLK)
7	Backlighting Power Supply +2.1VDC
8	Backlighting GND
9-13	Spare

## MET KEYBOARD CONNECTORS



PIN NUMBER DIAGRAM  
(VIEWED FROM MATING END)