

KP-001 Military 5-Button Pointer Module

This custom designed 5- button pointer module was deigned for military applications as a control unit for a communications sub-system.

This unit has two mouse buttons BT1 and BT2, function buttons F1 and F2, and a simple "ON/OFF". The module has an IP67 enclosure and is a plug and play unit. It is designed to meet MIL-810 and MIL-461 standards.

As a long-standing, qualified supplier of rugged keyboards and keypads for aviation, military, and industrial applications, Staco Systems is seasoned in designing, developing, and implementing custom design specifications.



General Specifications

Mechanical

Actuating Force: 310 grams \pm 50 grams
Travel: 1.30 \pm 0.2 mm

Computer Connection / Electrical

USB plug and play interface with coil cable and special Fischer connector.

Temperature-Operating

Operating: -40 to 85°C
Storage: -40 to 85°C

All keys are rated at 1,000,000 cycles of operation at 25°C ambient temperature

Moisture/Chemical Resistance

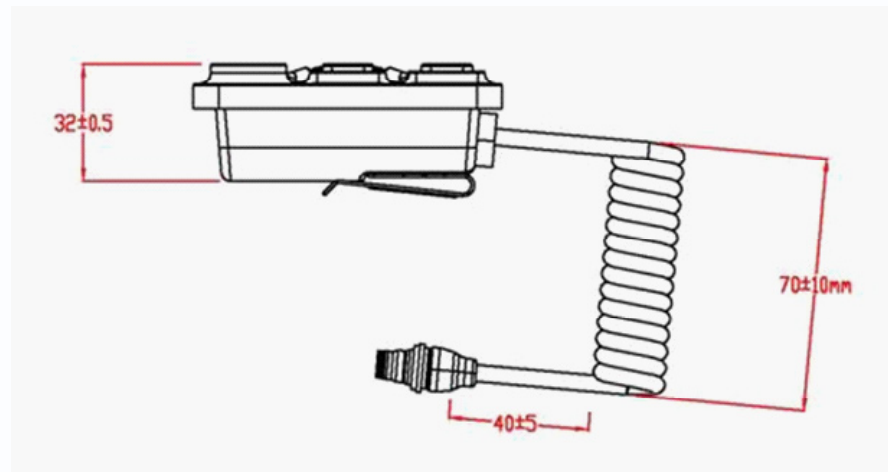
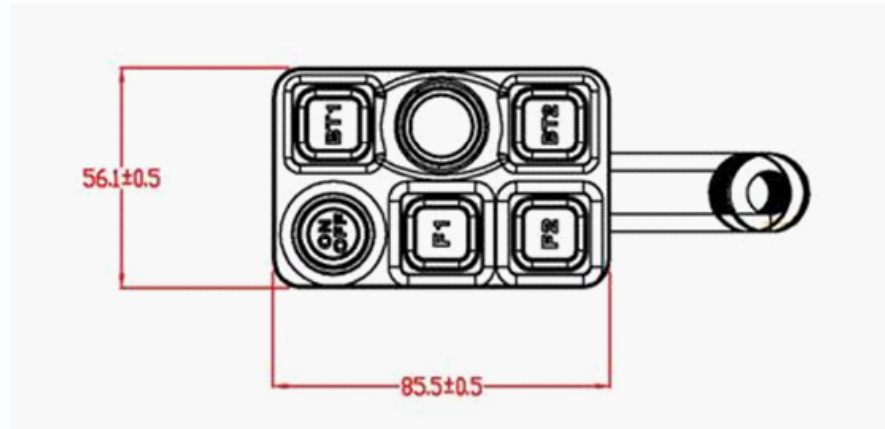
Waterproof to IP67 compliant on top surface
Chemical resistant (including Super Tropical Bleach (STB), alcohol, Lysol, hand soap, laundry detergent, vinegar, and hand lotion)

Weight

126 grams

Power Consumption

25 mA @ 5V and 25°C



Unit (mm)