

**SPECIFICATION CONTROL DRAWING**


LTR	REVISION	DATE	APPROVAL
N/C	RELEASE ER 11542 TYPE XII	11-9-78	<i>WEB</i>
A	REV. PER ER 11667 TYPE II	1/12/79	<i>WEB</i>
B	REV. PER ER 11810 TYPE II	3/19/79	<i>WEB</i>
C	REVISED PER ER 11903 TYPE II	4-25-79	<i>WEB</i>
D	REVISED PER ER 13006 TYPE II		
E	REV. PER ER 13361 TY I	3-11-81	<i>AD</i>
F	REV PER ER-18948	8-19-87	<i>DM</i>

NOTES: UNLESS OTHERWISE SPECIFIED

1. SWITCH/INDICATOR IS BUILT WITH ONLY THOSE TERMINALS REQUIRED.
2. UNIT SHALL BE IDENTIFIED WITH STACOSWITCH LOGO, PART NUMBER, DATE CODE, FEDERAL CODE IDENTIFICATION NUMBER 12522 AND SCHEMATIC.
3. UNIT SUPPLIED WITH ONE NO. 2-56 JACKSCREW ASSEMBLY FOR SWITCH MODULE INSTALLATION, AND ONE NO. 2-56 X 1/2 LONG SCREW AND LOCKWASHER FOR PANEL MOUNTING. RECOMMENDED TIGHTENING TORQUE FOR BOTH SCREWS IS 8 OUNCE-INCHES. (5.65 x 10<sup>-2</sup> N.m)
4. SEE SERIES 80 PUSHBUTTON AND DISPLAY SCREEN SCD FOR PUSHBUTTON DETAILS: NOT INCLUDED IN THIS ASSEMBLY. SEE SERIES 80 SCD FOR CAPTIVE PUSHBUTTON OPTION.
5. SEE SCD 80CM FOR SWITCH MODULES SPECIFICATIONS. SEE SCD 15073-TAB FOR MATING RE-CEPTACLE ASSEMBLY. RECEPTACLE IS ASSEMBLED WITH ONLY THOSE RETAINING CLIPS REQUIRED. SEE SHEET 5.
6. DIMENSIONS IN BRACKETS ARE IN MILLIMETERS
7. MATERIAL:
 

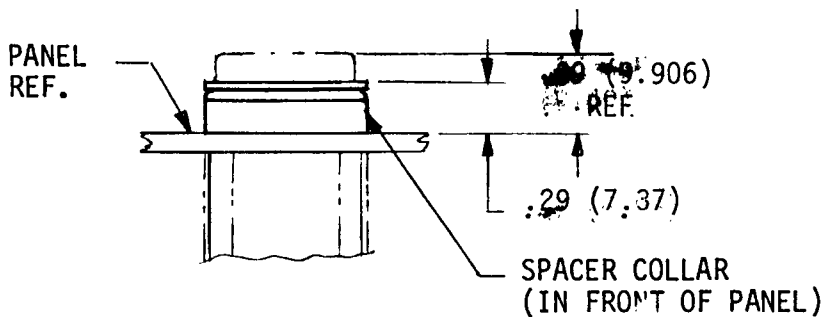
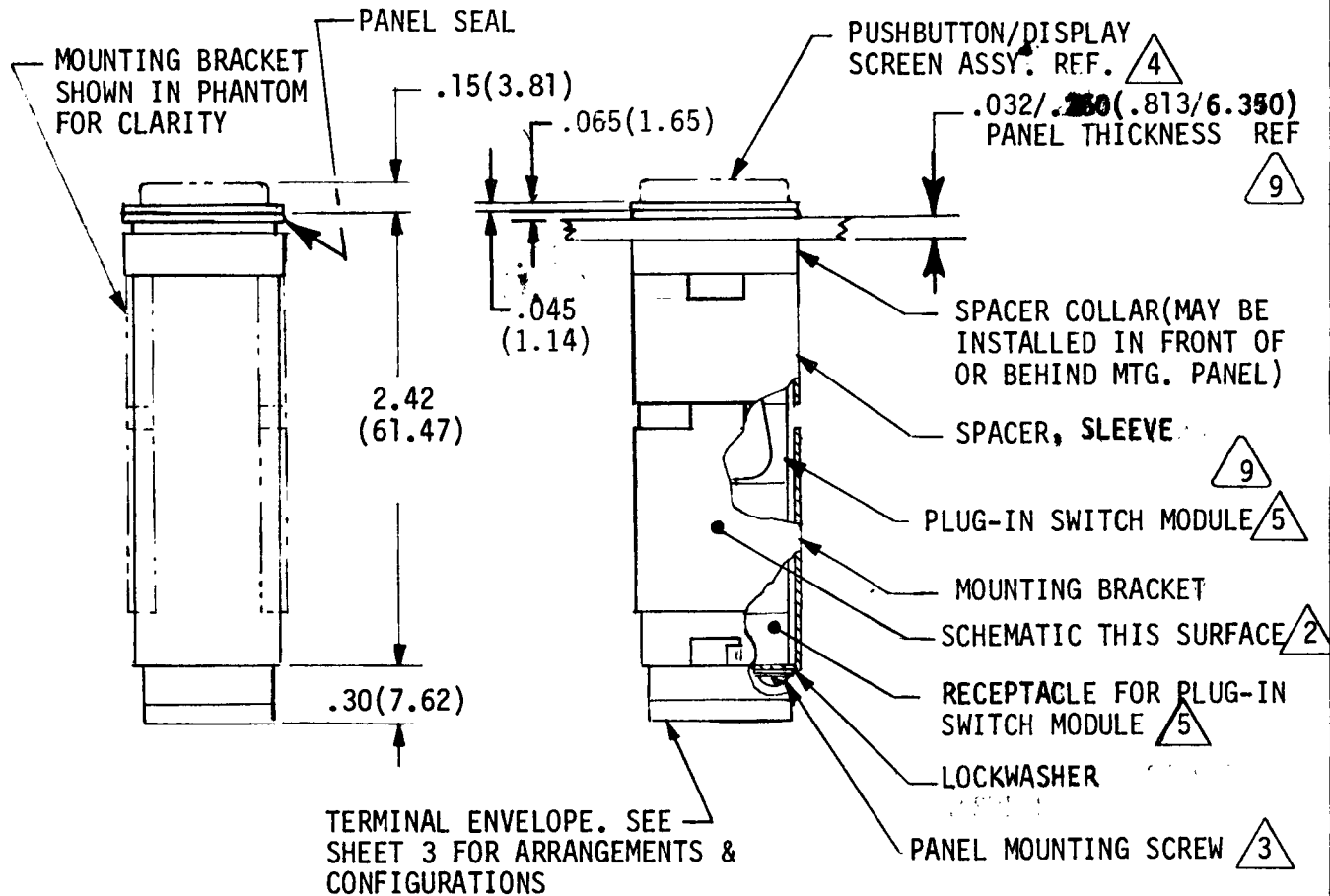
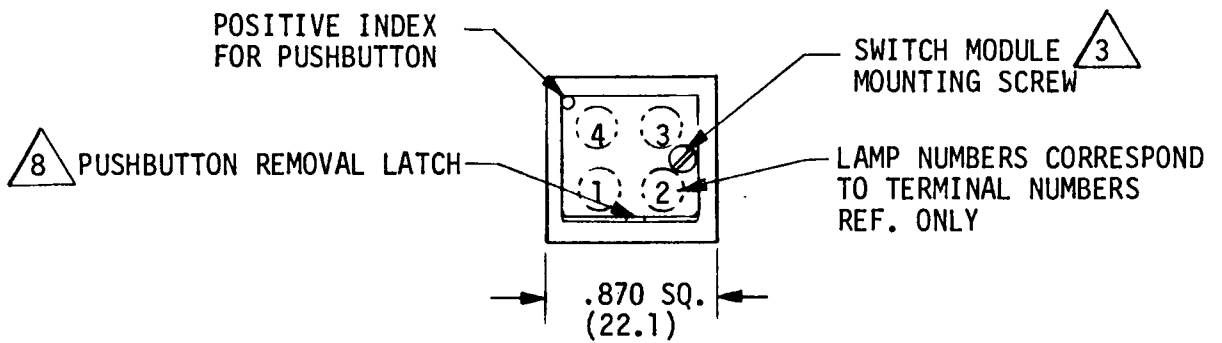
HOUSING	6061 ALUMINUM, BLACK ANODIZE	} NON-RFI SHIELDED UNITS
BEZEL	302-304 SST, DULL BLACK OXIDE	
MOUNTING BRACKET	CORROSION RESISTANT STEEL	
HOUSING	6061 ALUM, CHEM FILM*	} RFI SHIELDED UNITS
BEZEL	300 SST, PLAIN	
MOUNTING BRACKET	300 SST, PLAIN	

\*COLOR MAY VARY FROM COLORLESS TO GOLDEN
8. TO REMOVE PUSHBUTTON, MOVE LATCH LEVER TO RIGHT.
9. SPACER SLEEVE MAY BE INVERTED FOR PANEL THICKNESS OF .12 TO .25
10. ALL HOUSING ASSEMBLIES ARE CONSTRUCTED WITH PROVISIONS FOR CAPTIVE PUSHBUTTON OPTION. THEREFORE, NO SPECIAL PART NUMBER CODING IS PROVIDED OR REQUIRED FOR THE CAPTIVE BAIL OPTION.

UNLESS OTHERWISE SPECIFIED DIMENSIONS ARE IN INCHES  TOLERANCES .XX ± .03 (.762) .XXX ± .010 (.254) ANGLE ±	PREPARED NORFOLK 11-8-78  CHECKED <i>WEB</i> 1/12/79  ENGINEER <i>WEB</i> 1/12/79  APPROVED <i>Don Sugg</i> 3/4/81  APPROVED  PROD. NO. DATE	<div style="text-align: center;">  <p>STACOSWITCH <small>a STACO INC. company</small></p> </div> TITLE SWITCH/INDICATOR, LIGHTED, 2PDT AND 4PDT, MOMENTARY AND ALTERNATE ACTION WITH CRIMP PIN TERMINATION SYSTEM - SUNLIGHT READABLE		
CUSTOMER CATALOG  STANDARD  SPECIFICATION / DRAWING	CODE IDENT NO. <div style="font-size: 2em; font-weight: bold;">12522</div>	SIZE <div style="font-size: 2em; font-weight: bold;">A</div>	DRAWING NO. MODEL 89C CODED 889C CODED	REV. <div style="font-size: 2em; font-weight: bold;">F</div>
		SCALE 1/1	UNIT WEIGHT 0.117 LB. MAX.	SHEET 1 OF 5

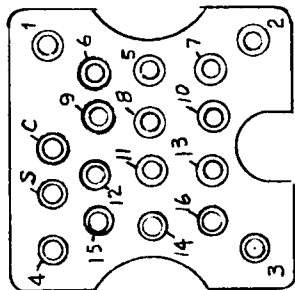
MODEL 89C CODED  
889C CODED

F

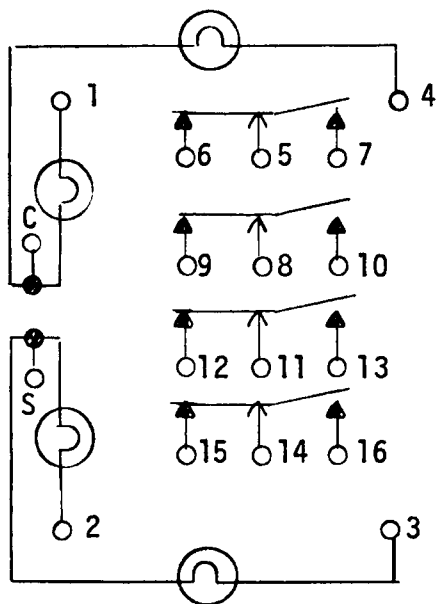


ALTERNATE INSTALLATION CONFIGURATION

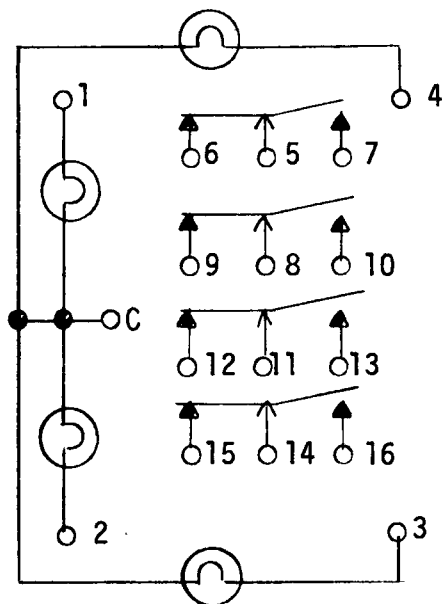
CODE IDENT NO.	SIZE	DRAWING NO.	SHEET
12522	A	MODEL 89C CODED	2



TERMINAL IDENTIFICATION REF.



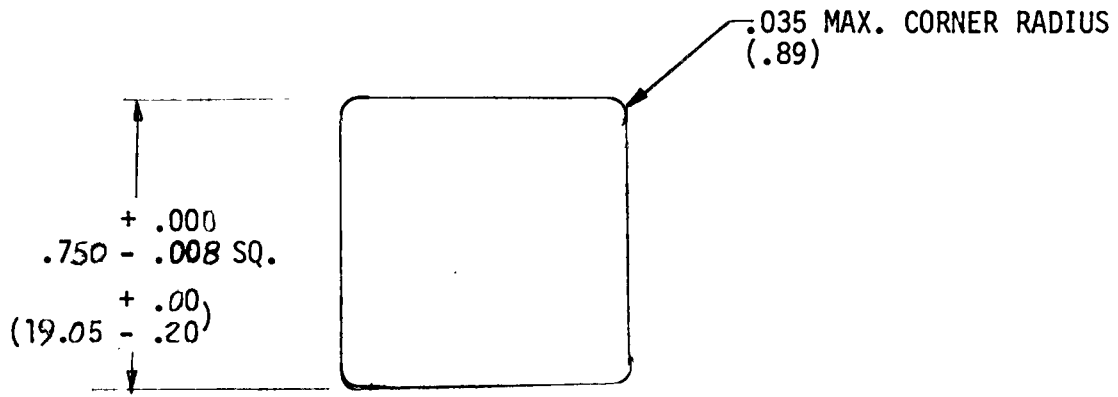
4PDT SPLIT LAMP GROUND SHOWN FOR 2PDT DELETE PINS 8 THRU 13 FOR INDICATOR DELETE PINS 5 THRU 16



4PDT SWITCH SHOWN FOR 2PDT DELETE PINS 8 THRU 13 FOR INDICATOR DELETE PINS 5 THRU 16

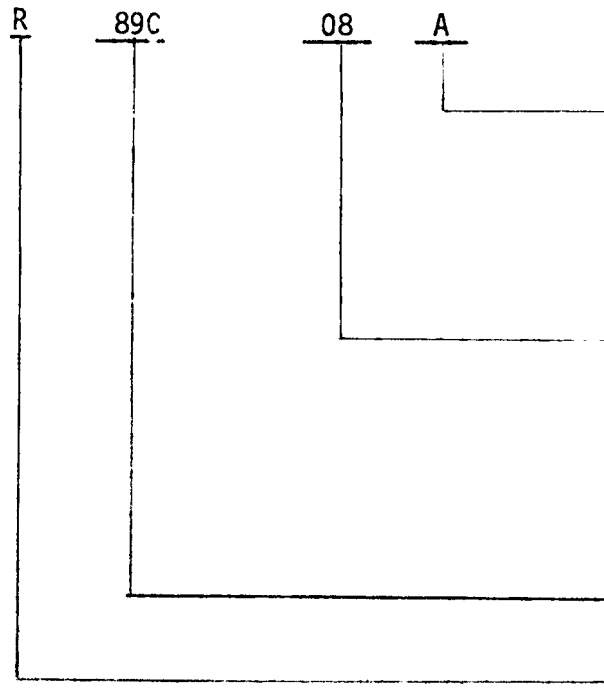
SCHEMATICS

CODE IDENT NO. <b>12522</b>	SIZE <b>A</b>	DRAWING NO. MODEL 89C CODED	SHEET 3
--------------------------------	------------------	--------------------------------	------------



RECOMMENDED PANEL  
MOUNTING HOLE  
SCALE = 2/1

PART NUMBER CODING FOR ORDERING MOUNTING ASSEMBLY WITH SWITCH (80CM)  
INSTALLED. (SEE NOTE BELOW)  $\triangle 10$



SWITCH OPERATION  
 A = MOMENTARY  
 B = ALTERNATE ACTION  
 I = INDICATOR NON SWITCHING LAMP CIRCUITS ONLY  
 X = NO MODULE, HOUSING ONLY (SEE NOTE, PAGE 5)

CIRCUIT CONFIGURATION  
 07 = 2 PDT C.L.G.\*  
 08 = 4 PDT C.L.G.\*  
 00 = INDICATOR (LAMP CIRCUITS ONLY) C.L.G.\*  
 XX = NO MODULE, HOUSING ONLY (SEE NOTE, PAGE 5)  
 09 = 2 PDT/S.L.G.\*  
 10 = 4 PDT S.L.G.\*  
 11 = INDICATOR S.L.G.\*

BASIC INDIVIDUAL MOUNT WITH  
RECEPTACLE  
 RFI SHIELDED (OMIT WHEN NOT REQUIRED)

NOTE: DUE TO THE NUMBER OF VARIABLE FEATURES OFFERED, THE PUSHBUTTON/DISPLAY SCREEN MUST BE ORDERED SEPARATELY. REFER TO SERIES 80 SPECIFICATION CONTROL DRAWING FOR ORDERING INFORMATION.

\* SLG = SPLIT LAMP GROUND  
 CLG = COMMON LAMP GROUND

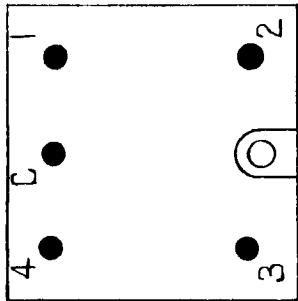
CODE IDENT NO. <b>12522</b>	SIZE <b>A</b>	DRAWING NO. MODEL 89C CODED	SHEET 4
--------------------------------	------------------	--------------------------------	------------

SEE SHEET ONE

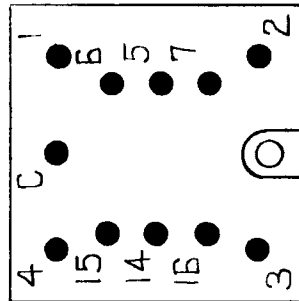
5

RECEPTACLE TO MATCH CIRCUIT CONFIGURATION

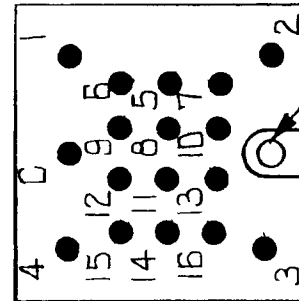
NOTE: WHEN HOUSING ASSEMBLY ONLY (89CXXX) IS ORDERED, RECEPTACLE WITH ALL TERMINAL RETAINERS IS SUPPLIED.



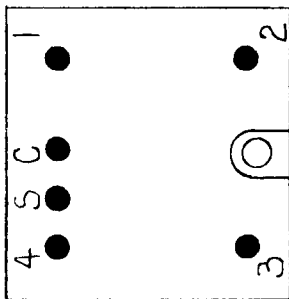
-00  
IND, CLG



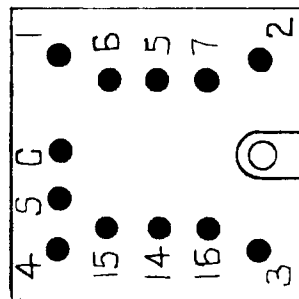
-07  
2PDT, CLG



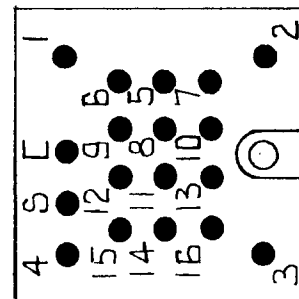
-08  
4PDT, CLG



-11  
IND, SLG



-09  
2PDT, SLG



-10  
4PDT, SLG