



1139 BAKER ST.  
COSTA MESA, CA 92626  
(714) 549 3041  
FAX (714) 549 0930

A Components Corporation of America Company

**TECHNICAL BULLETIN TB-142**

**LED LIGHTING REQUIREMENTS OF 1X4 DW KEYPADS**

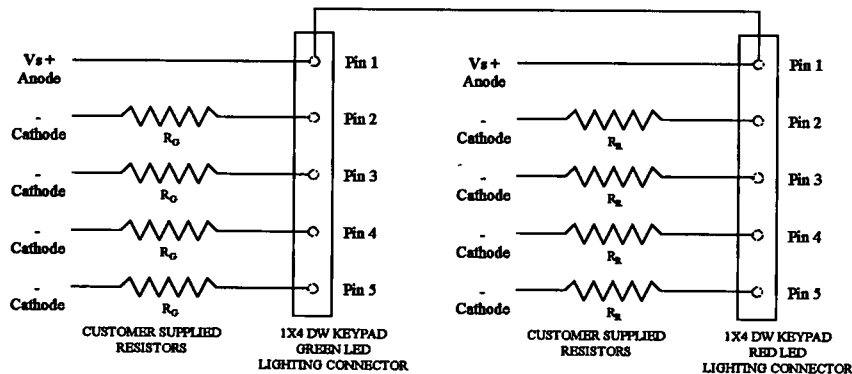
The keypad may be lighted using various voltage sources as long as a current limiting circuit is provided. The recommended current limiting circuit includes user-supplied resistors as shown on the following figures. The  $V_s$  is the voltage source, and pin 1 through pin 5 are the pins of green and red LED lighting connectors.

The recommended resistor value for the green LED lighting connector ( $R_G$ ), resistor value for the red LED lighting connector ( $R_R$ ), minimum resistor power rating for the green LED lighting connector ( $P_{RG}$ ), minimum resistor power rating for the red LED lighting connector ( $P_{RR}$ ) for a given power supply voltage source ( $V_s$ ) are shown on the following tables. Also shown are the minimum power supply power rating ( $P_s$ ).

If the voltage source is not listed on the tables,  $P_s$ ,  $R_G$ ,  $R_R$ ,  $P_{RG}$ , and  $P_{RR}$  are determined by evaluating the equations which follow. The following equations are derived for a lighted 1X4 DW keypad that has four (n) pushbuttons (LEDs) with 60 mA forward current (i) per pushbutton, 2.0 V green LED forward voltage ( $V_{LG}$ ), and 1.7 V red LED forward voltage ( $V_{LR}$ ).

**Recommended Power Supply and Resistor to Individually Light Each Pushbutton**

A pushbutton LED is lighted by grounding its cathode.



**Resistors to Light Individual Pushbutton Green or Red**

**Power Supply and Resistor to Light Individual Pushbutton Green or Red**

Power Supply		Resistor for Green LED		Resistor for Red LED		Pushbutton		Green LED	Red LED
$V_s$ (V)	$P_s$ min (W)	$R_G$ ( $\Omega$ )	$P_{RG}$ min (W)	$R_R$ ( $\Omega$ )	$P_{RR}$ min (W)	TOTAL (n)	i (A)	$V_{LG}$ (V)	$V_{LR}$ (V)
5	1.20	50.00	0.18	55.00	0.198	4	0.06	2.0	1.7
12	2.88	166.67	0.60	171.67	0.618	4	0.06	2.0	1.7
14	3.36	200.00	0.72	205.00	0.738	4	0.06	2.0	1.7
28	6.72	433.33	1.56	438.33	1.578	4	0.06	2.0	1.7

Rev.	Rel. ER	Date
NC	02-32742	1/29/97

Sheet	of
1	2

### Power Supply and Resistor Equations to Light Individual Pushbutton

$$P_s = niV_s$$

$$R_G = \frac{V_s - V_{LG}}{i}$$

$$R_R = \frac{V_s - V_{LR}}{i}$$

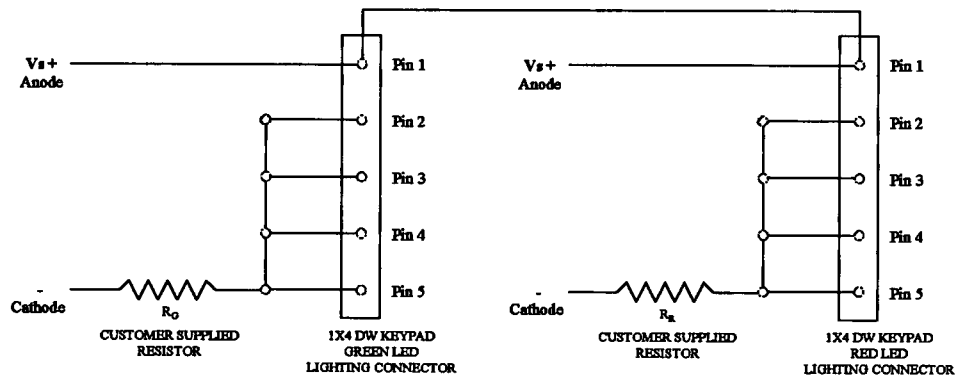
$$P_{RG} = i^2 R_G$$

$$P_{RR} = i^2 R_R$$

### Recommended Power Supply and Resistor to Simultaneously Light All Pushbuttons

**NOTE:**

Since the anodes of the green LEDs and the anodes of the red LEDs are tied together to pin 1 green LED lighting connector and pin 1 red LED lighting connector, each current limiting resistor has to be placed on the cathode side of the connector. The pushbuttons are lighted by bringing the cathode to ground.



**Resistors to Light All Pushbuttons Green or Red**

### Power Supply and Resistor to Light All Pushbuttons Green or Red

Power Supply		Resistor for Green LED		Resistor for Red LED		Pushbutton		Green LED	Red LED
V <sub>s</sub> (V)	P <sub>s</sub> min (W)	R <sub>G</sub> (Ω)	P <sub>RG</sub> min (W)	R <sub>R</sub> (Ω)	P <sub>RR</sub> min (W)	TOTAL (n)	i (A)	V <sub>LG</sub> (V)	V <sub>LR</sub> (V)
5	1.20	12.50	0.72	13.750	0.792	4	0.06	2.0	1.7
12	2.88	41.67	2.40	42.917	2.472	4	0.06	2.0	1.7
14	3.36	50.00	2.88	51.250	2.952	4	0.06	2.0	1.7
28	6.72	108.33	6.24	109.583	6.312	4	0.06	2.0	1.7

### Power Supply and Resistor Equations to Light All Pushbuttons

$$P_s = niV_s$$

$$R_G = \frac{V_s - V_{LG}}{ni}$$

$$R_R = \frac{V_s - V_{LR}}{ni}$$

$$P_{RG} = (ni)^2 R_G$$

$$P_{RR} = (ni)^2 R_R$$