

SH 1 REV R  
 DWG NO.  
 MODEL 45 THRU 48 CODED  
 MODEL R45 THRU R48 CODED

**SPECIFICATION CONTROL DRAWING**

**REVISIONS**

REV.	DESCRIPTION	DATE	APPROVAL
R	DDC, REDRAWN, REPLACES ER-17951 DATED, 10-28-85, SEE ER-01-35796	10-28-85	E. Ogle


NOTES: UNLESS OTHERWISE SPECIFIED.

1. ALL TERMINAL NUMBERS APPEAR ON THE SWITCH TERMINAL HEADER. SWITCH IS BUILT WITH ONLY THOSE TERMINALS REQUIRED.
2. UNIT SHALL BE IDENTIFIED WITH STACOSWITCH, PART NUMBER, DATE CODE, STACO CODE IDENT. NO. AND MIL SPEC NO. WHEN REQUIRED.
3. UNIT SUPPLIED WITH ONE (1) #2-56 X 1" LONG SCREW AND LOCKWASHER FOR MOUNTING.
4. SEE SERIES 40 PUSH BUTTON AND DISPLAY SCREEN SCD.
5. UP TO 60 KEYED CONFIGURATIONS ARE AVAILABLE. A KEYED PUSHBUTTON WILL MATE WITH WITH ITS MATCHING KEYED SWITCH MODULE.
6. MATERIALS:
 

HOUSING	-6061 ALUMINUM, BLACK ANODIZE	}	NON-RFI SHIELDED UNIT ONLY
MOUNTING BRACKET	-5052 ALUMINUM, BLACK ANODIZE		
SWITCH TERMINALS	-CONSIL, GOLD PLATE		
HOUSING	-6061 ALUMINUM, CHEM FILM*	}	NON-RFI SHIELDED UNIT ONLY
MOUNTING BRACKET	-5052 ALUMINUM, CHEM FILM*		
SWITCH TERMINALS	-CONSIL, GOLD PLATE		

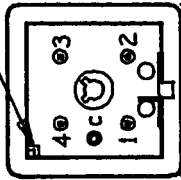
\*RFI SHIELDED UNITS - CHEMICAL FILM (IRIDITE OR ALODINE COLOR SHALL BE LIGHT STRAW TO GOLD
7. THE INSTALLATION TORQUE FOR THE MOUNTING SCREW SHALL BE 16 OUNCE-INCHES MAXIMUM.

The information and design disclosed herein was originated by and is the property of STACOSWITCH, INC. STACOSWITCH, INC. reserves all patent, proprietary, design, manufacturing, reproduction, use and sale rights thereto, and to any article disclosed therein, except to the extent rights are expressly granted to others. The foregoing does not apply to vendor proprietary parts.

UNLESS OTHERWISE SPECIFIED DIMENSIONS ARE IN INCHES TOLERANCES .XX ± .03 .XX ± .010 ANGLE ± ---	CONTRACT NO. © Copyright StacoSwitch Inc., 2000	(714)549-3041  A COMPONENTS CORPORATION OF AMERICA COMPANY 1139 BAKER STREET, COSTA MESA, CA. 92626 FAX: 714/549-0930 <b>USA</b>
CUSTOMER CATALOG STANDARD SPECIFICATION/DRAWING	APPROVALS DRAWN E. OGLE CHECKED <i>[Signature]</i> PROJ. ENG. <i>[Signature]</i> MGMT.	DATE 3-6-70 8-14-00 8/14/00
DO NOT SCALE DRAWING		TITLE SWITCH, 2PDT AND 4PDT FOR USE WITH 4 LAMP ILLUMINATED PUSH BUTTON SIZE CAGE CODE: A 12522 SCALE: FULL UNIT WEIGHT SEE SHEET 5
DWG NO. MODEL 45 THRU 48 CODED MODEL R45 THRU R48 CODED		REV. R SHEET 1 OF 6

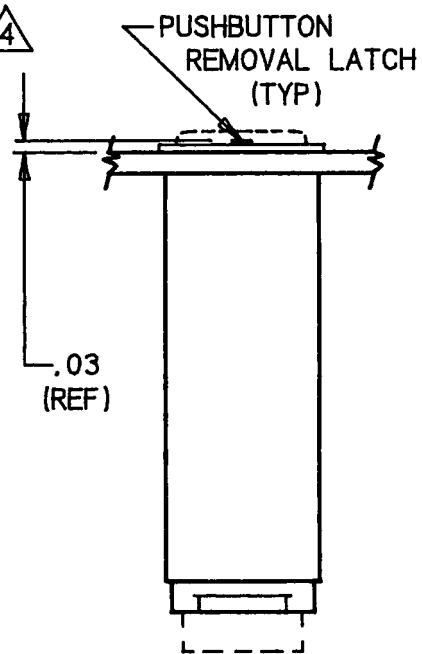
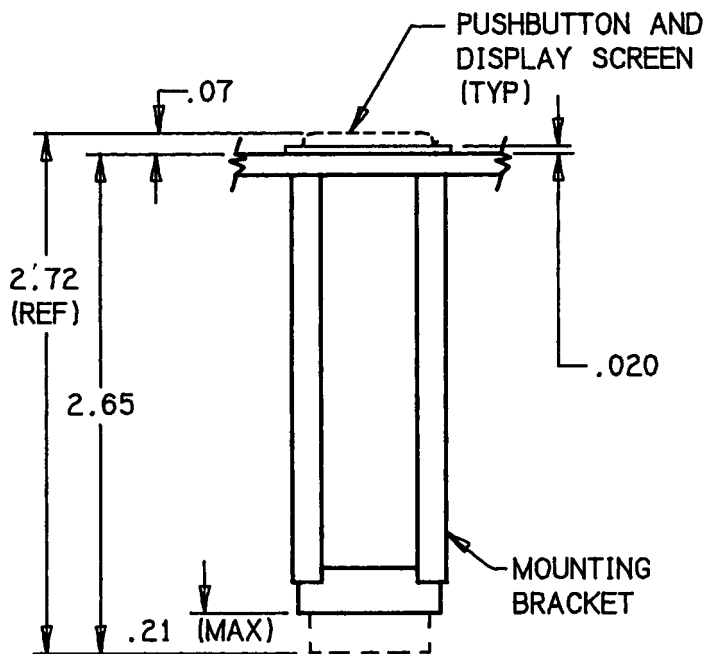
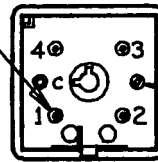
.870 SQUARE  
TYP FOR MODEL 47  
(FLUSH MTG) & 48  
(ENTENDED MTG)

POSITIVE INDEX  
FOR PUSHBUTTON

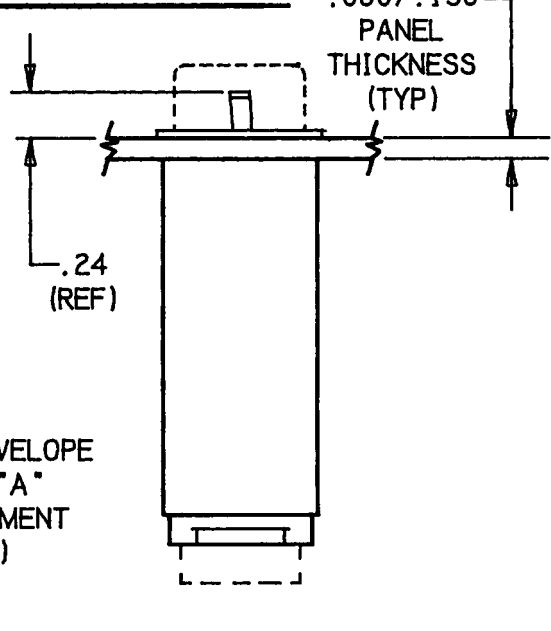
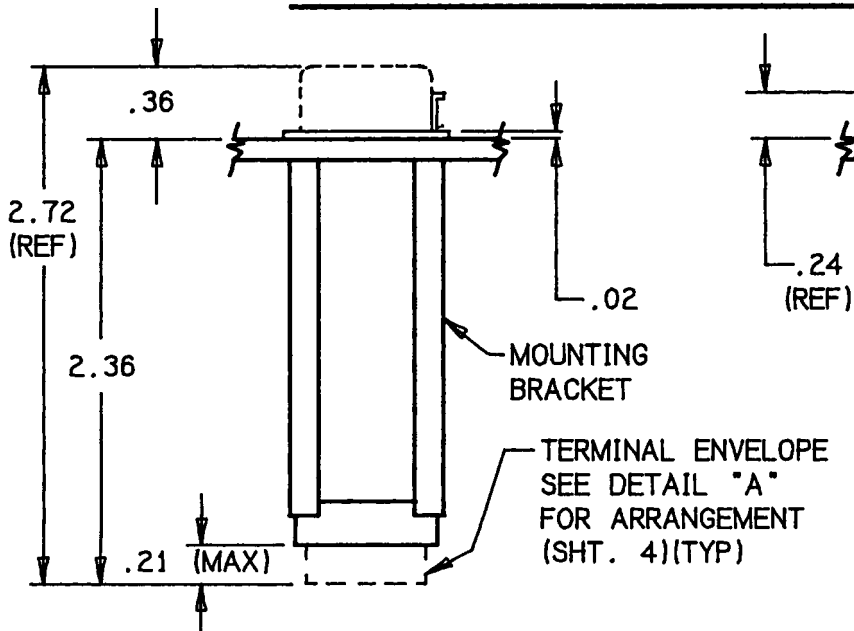


.781 SQUARE  
TYP FOR MODEL 45  
(FLUSH MTG) & 46  
(ENTENDED MTG)

LAMP NUMBERS  
CORRESPOND TO  
TERMINAL NUMBERS  
SHOWN FOR REF  
ONLY (TYP)



**MODEL 45 AND 47 (FLUSH MOUNTING)**



**MODEL 46 AND 48 (ENTENDED MOUNTING)**

CAGE CODE:

**12522**

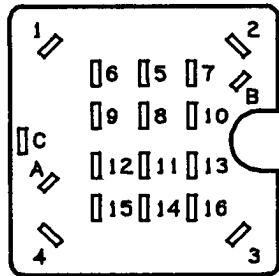
DRAWING NO.

MODEL R45 THRU R48 CODED &  
MODEL 45 THRU 48 CODED

REV. SHT.

R

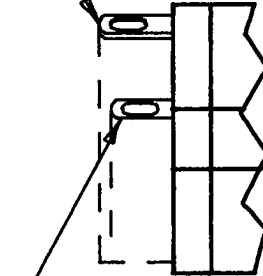
2



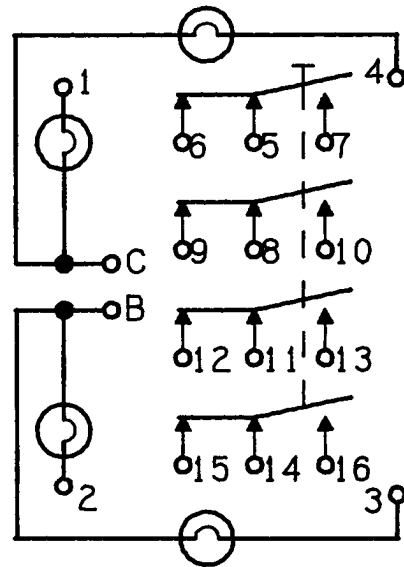
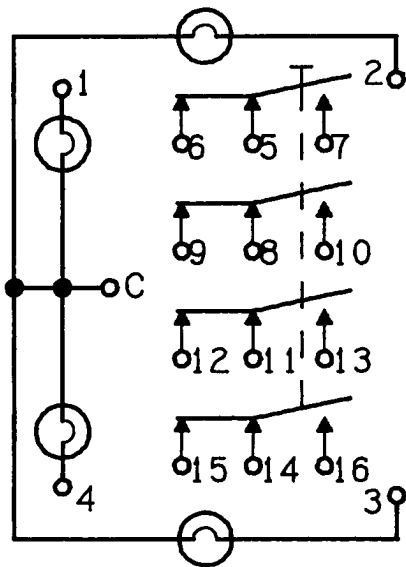
DETAIL "A"

TERMINAL ARRANGEMENT 

LAMP TERMINALS .090 WIDE  
WITH .055 X .090 SLOTS  
(PINS 1 THRU 4, C)



SWITCH TERMINALS .070 WIDE  
WITH .035 X .070 SLOTS  
(PINS 5 THRU 16)

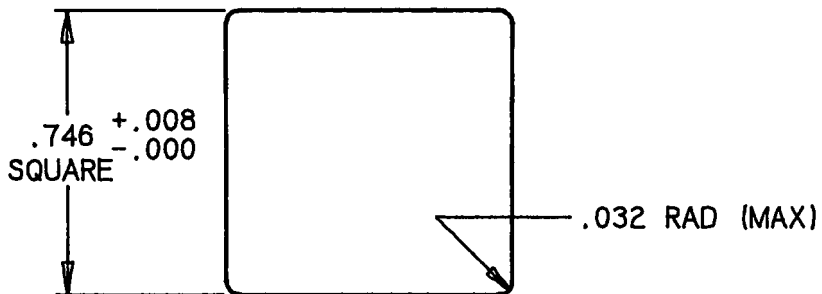


08 = 4PDT COMMON-LAMP GROUND (SHOWN)  
07 = 2PDT COMMON-LAMP GROUND  
00 = INDICATOR COMMON-LAMP GROUND

10 = 4PDT SPLIT-LAMP GROUND (SHOWN)  
09 = 2PDT SPLIT-LAMP GROUND

DELETE PINS 8 THRU 13 FOR 2PDT CONFIGURATION  
DELETE PINS 5 THRU 16 FOR INDICATOR CONFIGURATION  
SCHEMATIC APPLICABLE TO BOTH MOMENTARY AND ALTERNATE ACTION

CAGE CODE:	DRAWING NO.	REV.	SHT.
<b>12522</b>	MODEL R45 THRU R48 CODED & MODEL 45 THRU 48 CODED	R	3



**RECOMMENDED PANEL**

**MOUNTING HOLE**

**SCALE: 2 X 1**

**SWITCH PART NUMBER CODE**

**R 45 S 08 A - XX**

[ TWO DIGIT NUMBER (01 THRU 60) SPECIFYING POSITIVE KEYED HUB. MUST MATCH KEYING NUMBER OF MATING PUSH BUTTON. OMIT FOR NON-KEYED.

[ SWITCH OPERATION  
 A = MOMENTARY  
 B = ALTERNATE ACTION  
 I = INDICATOR

[ CIRCUIT CONFIGURATION  
 07 = 2PDT/CLG  
 08 = 4PDT/CLG  
 00 = INDICATOR/CLG  
 09 = 2PDT/SLG  
 10 = 4PDT/SLG

[ S = MOISTURE TIGHT  
 N = ENCLOSED (NO SEAL)

[ MODEL NUMBER  
 45 - FLUSH MOUNTING .781 FLANGE  
 46 - EXTENDED MOUNTING .781 FLANGE  
 47 - FLUSH MOUNTING .870 FLANGE  
 48 - EXTENDED MOUNTING .870 FLANGE

[ RFI SHIELDED - (OMIT FOR NON-RFI)

CLG = COMMON LAMP GROUND  
 SLG = SPLIT LAMP GROUND

CAGE CODE:	DRAWING NO.	REV.	SHT.
<b>12522</b>	MODEL R45 THRU R48 CODED & MODEL 45 THRU 48 CODED	R	4

SPECIFICATIONS, MODEL 45 THRU 48 SWITCHES

THE SWITCHES DEFINED BY THIS SPECIFICATION CONTROL DRAWING MEET OR EXCEED ALL APPLICABLE REQUIREMENTS OF MIL-22885.

1. MECHANICAL:

A. ACTUATION FORCE	4.0±1.0 POUNDS FOR S.L.G. 3.5±1.0 POUNDS FOR C.L.G.
B. ACTUATION TRAVEL	.200 MAXIMUM
C. WEIGHT	.075 POUND, INCLUDING PUSHBUTTON & LAMPS
D. LIFE	50,000 MECHANICAL CYCLES
E. RETURN FORCE	0.5 POUNDS MINIMUM

2. ELECTRICAL:

A. LIFE AT RATED LOAD	25,000 CYCLES, MINIMUM
B. CONTACT LOAD RATING	28VDC                      115 VAC
RESISTIVE	2 AMP                      2 AMP
INDUCTIVE	1 AMP                      1 AMP
LAMP	.75 AMP                      .75 AMP
DRY CIRCUIT	10 MICROAMP
C. CONTACT RESISTANCE, INITIAL	SWITCH                      LAMP
	.025 OHM, MAX.              1.0 OHM. MAX.
D. DIELECTRIC STRENGTH	SEA LEVEL                      70,000 FEET
	1,056 VRMS                      450 VRMS
E. INSULATION RESISTANCE	1,000 MEGOHMS @ 500 VDC

3. ENVIRONMENTAL:

A. TEMPERATURE, OPERATING	-65°C TO +85°C
B. THERMAL SHOCK	-55°C TO +85°C, PER MIL-STD-202, METHOD 107, TEST CONDITION A
C. ALTITUDE	SEA LEVEL TO 70,000 FEET

CAGE CODE:	DRAWING NO.	REV.	SHT.
<b>12522</b>	MODEL R45 THRU R48 CODED & MODEL 45 THRU 48 CODED	R	5

- D. VIBRATION .06 D.A. OR 15 G'S, 10 TO 2,000 H<sub>z</sub> PER MIL-STD-202, METHOD 204, TEST CONDITION B
- E. SHOCK 50 G'S, 11±1 MILLISECOND; PER MIL-STD-202, METHOD 202
- F. SAND AND DUST PER MIL-STD-202, METHOD 110, TEST CONDITION B
- G. HUMIDITY 10 DAYS WITH 10 CYCLES AT 90-98 PERCENT RELATIVE HUMIDITY AT 65°C PER MIL-STD-202, METHOD 106
- H. SALT SPRAY 48 HR., PER MIL-STD-202, METHOD 101 TEST CONDITION B, WITH PUSH BUTTON INSTALLED.
- I. FUNGUS NONE OF THE MATERIALS OR FINISHES USED IN THE CONSTRUCTION OF THIS SWITCH ASSEMBLY WILL SUPPORT ANY FUNGUS ENCOUNTERED IN TROPICAL CLIMATES.
- J. EXPLOSION THESE UNITS CAN BE SAFELY OPERATED UNDER LOAD IN AN EXPLOSIVE ATMOSPHERE WITHOUT DANGER OF EXPLOSION PER MIL-STD-202, METHOD 109

CAGE CODE: <b>12522</b>	DRAWING NO. MODEL R45 THRU R48 CODED & MODEL 45 THRU 48 CODED	REV. R	SHT. 6
----------------------------	---	-----------	-----------